

SACC-M12FR-5CON-PG 7-M - Connector



1662984

<https://www.phoenixcontact.com/in/products/1662984>

Please be informed that the data shown in this PDF document is generated from our Online Catalog. Please find the complete data in the user documentation. Our General Terms of Use for Downloads are valid.

Connector, Universal, 5-position, Socket angled M12, A, Screw connection, knurl material: Zinc die-cast, nickel-plated, cable gland Pg7, external cable diameter 4 mm ... 6 mm



Your advantages

- Safe use in the field, thanks to a high degree of protection
- Screw connection: proven connection technology for a large selection of different conductors

Commercial Data

Item number	1662984
Packing unit	1 pc
Minimum order quantity	1 pc
Sales Key	BF2
Product Key	BF2CAA
Catalog Page	Page 22 (C-2-2019)
GTIN	4017918146672
Weight per Piece (including packing)	27.13 g
Weight per Piece (excluding packing)	25.2 g
Customs tariff number	85366990
Country of origin	DE

SACC-M12FR-5CON-PG 7-M - Connector



1662984

<https://www.phoenixcontact.com/in/products/1662984>

Technical Data

Notes

General	NOTE: Observe the permissible bending radii when laying conductors, since the degree of protection may be put in jeopardy if the bending forces are too high. Alleviate mechanical loads upstream of the connector, e.g. by using cable ties.
---------	--

Mounting

Assembly instructions	The connector pin assignment can be rotated 90° to the cable outlet
Connection method	Screw connection

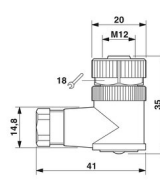
Product properties

Product type	Circular connector (cable-side)
Number of positions	5
Sensor type	Universal
No. of cable outlets	1
Shielded	no
Coding	A
Cable outlet	angled
Pg screw connection	Pg7

Insulation characteristics

Overvoltage category	II
Degree of pollution	3

Dimensions

Dimensional drawing	
Width	20 mm
Height	41 mm
Length	35 mm

External dimensions

Outside diameter	4 mm ... 6 mm
------------------	---------------

Housing

Diameter housing	20 mm
------------------	-------

Material specifications

Color Handle area	black
-------------------	-------

SACC-M12FR-5CON-PG 7-M - Connector



1662984

<https://www.phoenixcontact.com/in/products/1662984>

Flammability rating according to UL 94	HB
Seal material	NBR
Material of grip body	PA
Contact material	CuZn
Contact surface material	CuSnZn
Contact carrier material	PA
Material for screw connection	Zinc die-cast, nickel-plated

Connection data

Conductor connection

Connection method	Screw connection
Connection cross section	0.25 mm ² ... 0.75 mm ² (without ferrule)
	0.14 mm ² ... 0.75 mm ² (with ferrule)
	0.25 mm ² ... 0.75 mm ² (solid)
Connection cross section AWG	24 ... 18 (without ferrule)
	26 ... 20 (with ferrule)
Stripping length of the individual wire	5 mm
Tightening torque	0.4 Nm (M12 knurl)
	0.2 Nm (Screw terminal blocks)
	0.8 Nm ... 1 Nm (Pressure screw)

Electrical properties

Rated surge voltage	1.5 kV
Contact resistance	≤ 8 mΩ
Insulation resistance	≥ 100 MΩ
Nominal voltage U _N	48 V AC
	60 V DC
Nominal current I _N	4 A

Mechanical properties

Mechanical data

Insertion/withdrawal cycles	≥ 50
-----------------------------	------

Connector

Connection 1

Head design	Socket
Head cable outlet	angled
Head thread type	M12
Coding	A

Cable/line

Signal type/category	Universal
Stripping length of the individual wire	5 mm

SACC-M12FR-5CON-PG 7-M - Connector



1662984

<https://www.phoenixcontact.com/in/products/1662984>

Environmental and real-life conditions

Ambient conditions

Degree of protection	IP67
Ambient temperature (operation)	-40 °C ... 85 °C (Plug / socket)

Standards and regulations

M12

Standards/specifications	IEC 61076-2-101
--------------------------	-----------------

Phoenix Contact 2023 © - all rights reserved

<https://www.phoenixcontact.com>

PHOENIX CONTACT (I) Pvt. Ltd.

A-58/2, Okhla Industrial Area, Phase - II, New Delhi-110 020

+91.1275.71420

info@phoenixcontact.co.in