

HC-STA-D07-CHWSCF-1TTM20-EL-AL - Housing



1419243

<https://www.phoenixcontact.com/in/products/1419243>

Please be informed that the data shown in this PDF document is generated from our Online Catalog. Please find the complete data in the user documentation. Our General Terms of Use for Downloads are valid.



Coupling housings D7, with single locking latch, material: Die-cast aluminum, salt water resistant, protective cover material: PA, cable outlets: 1, straight, 1x M20, height: 60.5 mm, cable gland: none, protective cover: yes, Standard, for socket inserts

Commercial Data

Item number	1419243
Packing unit	1 pc
Minimum order quantity	1 pc
Sales Key	BF7
Product Key	BF7APF
Catalog Page	Page 517 (C-2-2019)
GTIN	4055626159744
Weight per Piece (including packing)	45.6 g
Weight per Piece (excluding packing)	45.6 g
Customs tariff number	85389099
Country of origin	CN

1419243

<https://www.phoenixcontact.com/in/products/1419243>

Technical Data

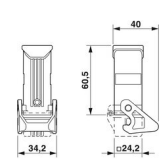
Notes

General	for contact inserts HC-A03, A04, D07, D08, Q02, Q03, Q04, Q05, Q07, Q12
---------	---

Product properties

Type	D7
Product type	Housing with locking latch
Application	Standard
No. of cable outlets	1
Type of the screw connection	1x M20
Housing type	Coupling housings
Protective cover	yes
Locking type	with single locking latch
Shielded	no
Cable outlet	straight
Pg screw connection	none

Dimensions

Dimensional drawing	
Width	34.2 mm
Height	60.5 mm
Length	24.2 mm

Material specifications

Color	gray aluminum
Flammability rating according to UL 94	V0 (Interlock)
	V0 (Protective cover)
Housing surface material	uncoated
Material, protective cover	PA
Locking latch material	PA
Impact strength	IK06
Housing material	Die-cast aluminum, salt water resistant

Mechanical properties

Mechanical data

Type of the screw connection	1x M20
Locking type	Latch

1419243

<https://www.phoenixcontact.com/in/products/1419243>

Environmental and real-life conditions

Ambient conditions

Degree of protection	IP66
	IP67
Impact strength	IK06
Ambient temperature (operation)	-40 °C ... 125 °C

Phoenix Contact 2023 © - all rights reserved

<https://www.phoenixcontact.com>

PHOENIX CONTACT (I) Pvt. Ltd.

A-58/2, Okhla Industrial Area, Phase - II, New Delhi-110 020

+91.1275.71420

info@phoenixcontact.co.in