

SACC-M12MR-5PL SH - Connector



1424659

<https://www.phoenixcontact.com/in/products/1424659>

Please be informed that the data shown in this PDF document is generated from our Online Catalog. Please find the complete data in the user documentation. Our General Terms of Use for Downloads are valid.

Connector, Universal, 5-position, shielded, Plug angled M12, A, Push-lock spring connection, knurl material: Zinc die-cast, nickel-plated, external cable diameter 4 mm ... 8 mm



Your advantages

- Time-saving Push-Lock connection: Tool-free connection and disconnection of conductors by opening the contact levers
- Intuitive connection: Easy assignment of individual litz wires with color-coded and numerical identification of the contact levers
- Integrated Push-in Technology: Wire rigid and pretreated conductors easily by means of simple, direct insertion
- Shock- and vibration-resistant connection: Proven spring-cage technology guarantees secure and reliable contacting
- Safely shielded: Reliable 360° shield connection even under extreme mechanical strain
- Flexible cable outlets with angled connectors

Commercial Data

| | |
|--------------------------------------|--------------------|
| Item number | 1424659 |
| Packing unit | 1 pc |
| Minimum order quantity | 1 pc |
| Sales Key | BF2 |
| Product Key | BF2CFA |
| Catalog Page | Page 19 (C-2-2019) |
| GTIN | 4055626375861 |
| Weight per Piece (including packing) | 39.93 g |
| Weight per Piece (excluding packing) | 37.678 g |
| Customs tariff number | 85366990 |
| Country of origin | DE |

SACC-M12MR-5PL SH - Connector



1424659

<https://www.phoenixcontact.com/in/products/1424659>

Technical Data

Notes

| | |
|-----------------------|--|
| Assembly instruction: | NOTE: Observe the permissible bending radii when laying conductors, since the degree of protection may be put in jeopardy if the bending forces are too high. Alleviate mechanical loads upstream of the connector, e.g. by using cable ties. |
|-----------------------|--|

Mounting

| | |
|-----------------------|---|
| Assembly instructions | The connector pin assignment can be rotated 45° to the cable outlet The wires can be connected both with ferrules and without ferrules |
| Connection method | Push-lock spring connection |

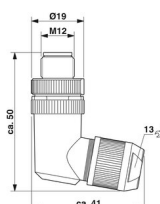
Product properties

| | |
|----------------------|---------------------------------|
| Product type | Circular connector (cable-side) |
| Number of positions | 5 |
| Sensor type | Universal |
| No. of cable outlets | 1 |
| Shielded | yes |
| Coding | A |
| Cable outlet | angled |

Insulation characteristics

| | |
|----------------------|----|
| Overvoltage category | II |
| Degree of pollution | 3 |

Dimensions

| | |
|---------------------|--|
| Dimensional drawing |  |
| Length | 50 mm |

External dimensions

| | |
|------------------|---------------|
| Outside diameter | 4 mm ... 8 mm |
|------------------|---------------|

Housing

| | |
|------------------|-------|
| Diameter housing | 19 mm |
|------------------|-------|

Material specifications

| | |
|----------|-------|
| Material | TPE-U |
|----------|-------|

SACC-M12MR-5PL SH - Connector



1424659

<https://www.phoenixcontact.com/in/products/1424659>

| | |
|--|--|
| | PA 6 |
| Flammability rating according to UL 94 | V0 |
| Seal material | NBR |
| Material of grip body | Zinc die-cast, nickel-plated |
| Contact material | CuSn |
| Contact surface material | Ni/Au |
| Contact carrier material | PA 6.6 |
| Material for screw connection | Zinc die-cast, nickel-plated |
| Standards/regulations | PA 6.6: Fire protection in rail vehicles - requirement sets R22, R23, R24, R25, and R26 acc. to DIN EN 45545-2 (Risk level HL1 - HL3) PA 6: Fire protection in rail vehicles - requirement sets R22, R23, and R24 acc. to DIN EN 45545-2 (Risk level HL1 - HL3) |

Connection data

Conductor connection

| | |
|---|---|
| Connection method | Push-lock spring connection |
| Connection cross section | 0.14 mm ² ... 0.75 mm ² (without ferrule) |
| | 0.08 mm ² ... 0.5 mm ² (with ferrule) |
| | 0.14 mm ² ... 0.75 mm ² (solid) |
| Connection cross section AWG | 26 ... 18 (without ferrule) |
| | 28 ... 20 (with ferrule) |
| Stripping length of the individual wire | 7 mm |
| Tightening torque | 0.4 Nm (M12 knurl) |
| | 0.8 Nm (Connector with coupling sleeve) |
| | 3 Nm (Pressure nut with coupling sleeve) |

Pin assignment

| | |
|---|--------|
| Contact Color (signal designation) Contact (optional) | 1 = BN |
| | 2 = WH |
| | 3 = BU |
| | 4 = BK |
| | 5 = GY |

Electrical properties

| | |
|----------------------------------|--|
| Min. AWG, flexible, multi-strand | 26 |
| Rated surge voltage | 1.5 kV |
| Contact resistance | ≤ 8 mΩ |
| Insulation resistance | ≥ 100 MΩ |
| Nominal voltage U _N | 48 V AC |
| | 60 V DC |
| Nominal current I _N | 4 A (2 A when using 0.14 mm ² conductors) |

Mechanical properties

Mechanical data

SACC-M12MR-5PL SH - Connector



1424659

<https://www.phoenixcontact.com/in/products/1424659>

| | |
|-----------------------------|-------|
| Insertion/withdrawal cycles | ≥ 100 |
|-----------------------------|-------|

Connector

Connection 1

| | |
|-------------------|--------|
| Head design | Plug |
| Head cable outlet | angled |
| Head thread type | M12 |
| Coding | A |

Cable/line

| | |
|---|-----------|
| Signal type/category | Universal |
| Stripping length of the individual wire | 7 mm |

Environmental and real-life conditions

Ambient conditions

| | |
|---------------------------------|----------------------------------|
| Degree of protection | IP65 |
| | IP67 |
| Ambient temperature (operation) | -40 °C ... 85 °C (Plug / socket) |

Standards and regulations

Testing

| | |
|-----------------------|---|
| Standards/regulations | PA 6.6: Fire protection in rail vehicles - requirement sets R22, R23, R24, R25, and R26 acc. to DIN EN 45545-2 (Risk level HL1 - HL3) |
| | PA 6: Fire protection in rail vehicles - requirement sets R22, R23, and R24 acc. to DIN EN 45545-2 (Risk level HL1 - HL3) |

M12

| | |
|--------------------------|-----------------|
| Standards/specifications | IEC 61076-2-101 |
| Standards/specifications | EN 50155:2001 |

Phoenix Contact 2023 © - all rights reserved
<https://www.phoenixcontact.com>

PHOENIX CONTACT (I) Pvt. Ltd.
A-58/2, Okhla Industrial Area, Phase - II, New Delhi-110 020

+91.1275.71420
info@phoenixcontact.co.in