

# HC-B 24-A-DT-PER-M - Terminal adapter



1648500

<https://www.phoenixcontact.com/in/products/1648500>

Please be informed that the data shown in this PDF document is generated from our Online Catalog. Please find the complete data in the user documentation. Our General Terms of Use for Downloads are valid.

HEAVYCON terminal adapter, pin insert, B24 series, 24-pos., for the right side of the control cabinet, push-in connection



## Your advantages

- Easy installation without tools, even when mounted, with push-in connection technology
- Shortest installation time compared to other connection technologies
- Quick and effortless wiring, in particular when space is tight
- Automatic cabling with robots possible
- Safe wiring and operation with color-coded actuators
- Shock and vibration-resistant in accordance with DIN EN 61373

## Commercial Data

Item number	1648500
Packing unit	5 pc
Minimum order quantity	1 pc
Sales Key	BF7
Product Key	BF7ADC
Catalog Page	Page 549 (C-2-2019)
GTIN	4046356092227
Weight per Piece (including packing)	166 g
Weight per Piece (excluding packing)	154 g
Customs tariff number	85366990
Country of origin	CN

# HC-B 24-A-DT-PER-M - Terminal adapter



1648500

<https://www.phoenixcontact.com/in/products/1648500>

## Technical Data

### Notes

General	For HEAVYCON-ADVANCE mounting flange and HEAVYCON panel mounting base of B24 type
General	Connectors may be operated only when there is no load/voltage.

### Product properties

Type	B24
Product type	Terminal adapter
Number of positions	24
Connection profile	24+PE
Contact numbering	1 - 24
Type	for the right side of the control cabinet
Series	HC-B

### Insulation characteristics

Overvoltage category	III
Degree of pollution	3

### Electrical properties

Min. AWG, flexible, multi-strand	22
Rated voltage (III/3)	500 V
Rated surge voltage	6 kV
Rated current	16 A
SCCR	5 kA (UL 2237)

### Connection data

#### Connection technology

Connection technology	Push-in connection
-----------------------	--------------------

#### Conductor connection

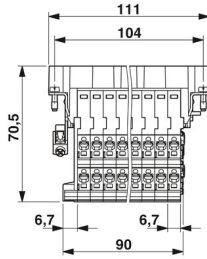
Conductor cross section	0.5 mm <sup>2</sup> ... 2.5 mm <sup>2</sup>
Connection cross section AWG	22 ... 12
Stripping length of the individual wire	10 mm (13 mm with ferrule)

### Dimensions

# HC-B 24-A-DT-PER-M - Terminal adapter

1648500

<https://www.phoenixcontact.com/in/products/1648500>

Dimensional drawing	
Width	34 mm
Height	70.5 mm
Length	111 mm
Drill hole distance, horizontal	104 mm
Drill hole distance, vertical	27 mm

## Material specifications

Color	light grey
Flammability rating according to UL 94	V0
Contact material	Copper alloy
Contact surface material	Ag
Contact carrier material	PA
Standards/regulations	PA: Fire protection in rail vehicles - requirement sets R22, R23, and R24 acc. to DIN EN 45545-2 (Risk level HL1 - HL3)

## Cable/line

Stripping length of the individual wire	10 mm (13 mm with ferrule)
---	----------------------------

## Mechanical properties

### Mechanical data

Insertion/withdrawal cycles	≥ 500
-----------------------------	-------

## Environmental and real-life conditions

### Ambient conditions

Degree of protection	IP20
Ambient temperature (operation)	-40 °C ... 125 °C

## Standards and regulations

Constructional and testing regulations	DIN EN 61984
	DIN EN 60664
	IEC 60352
Tests	DIN EN 61984
	DIN EN 60664
	IEC 60352

## Testing

# HC-B 24-A-DT-PER-M - Terminal adapter



1648500

<https://www.phoenixcontact.com/in/products/1648500>

Standards/regulations	PA: Fire protection in rail vehicles - requirement sets R22, R23, and R24 acc. to DIN EN 45545-2 (Risk level HL1 - HL3)
-----------------------	---

## Mounting

Assembly instructions	To ensure correct use, installation in housing with IP54 protection or better is required
	Connectors may be plugged in only when there is no load/voltage.

Phoenix Contact 2023 © - all rights reserved  
<https://www.phoenixcontact.com>

PHOENIX CONTACT (I) Pvt. Ltd.  
A-58/2, Okhla Industrial Area, Phase - II, New Delhi-110 020

+91.1275.71420  
[info@phoenixcontact.co.in](mailto:info@phoenixcontact.co.in)