

# HC-M-PN3-4,00-ST - Pneumatic contact



1663501

<https://www.phoenixcontact.com/in/products/1663501>

Please be informed that the data shown in this PDF document is generated from our Online Catalog. Please find the complete data in the user documentation. Our General Terms of Use for Downloads are valid.

Pneumatic pin, for HC-M-PN3 module, internal hose diameter of 4.0 mm



## Commercial Data

Item number	1663501
Packing unit	10 pc
Minimum order quantity	10 pc
Sales Key	BF7
Product Key	BF7ACZ
Catalog Page	Page 593 (C-2-2019)
GTIN	4017918123314
Weight per Piece (including packing)	0.97 g
Weight per Piece (excluding packing)	0.8 g
Customs tariff number	39174000
Country of origin	US

# HC-M-PN3-4,00-ST - Pneumatic contact



1663501

<https://www.phoenixcontact.com/in/products/1663501>

## Technical Data

### Product properties

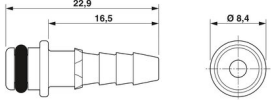
Product type	Pneumatic contact
Type	Individual male contact
Integrated valve	No
Series	HC-M-03-PN

### Connection data

#### Connection technology

Connection technology	Hose connection
-----------------------	-----------------

### Dimensions

Dimensional drawing	
Width	8.2 mm
Height	8.2 mm
Depth	22.7 mm

### Mechanical characteristics

Internal diameter of pressure hose connection	4 mm
Contact diameter	5.2 mm

### Material specifications

Color	black
Material Valve	Polypropylene
Seal material	Buna-N
Contact material	Delrin acetal

### Mechanical properties

#### Mechanical data

Insertion/withdrawal cycles	≥ 500
-----------------------------	-------

### Characteristics

Operating pressure	8.00 bar
--------------------	----------

### Environmental and real-life conditions

#### Ambient conditions

Ambient temperature (operation)	-40 °C ... 80 °C
---------------------------------	------------------

# HC-M-PN3-4,00-ST - Pneumatic contact



1663501

<https://www.phoenixcontact.com/in/products/1663501>

Phoenix Contact 2023 © - all rights reserved

<https://www.phoenixcontact.com>

PHOENIX CONTACT (I) Pvt. Ltd.

A-58/2, Okhla Industrial Area, Phase - II, New Delhi-110 020

+91.1275.71420

[info@phoenixcontact.co.in](mailto:info@phoenixcontact.co.in)