

HC-STA-D07-HHFS-1TTP11-EL-AL - Housing



1419232

<https://www.phoenixcontact.com/in/products/1419232>

Please be informed that the data shown in this PDF document is generated from our Online Catalog. Please find the complete data in the user documentation. Our General Terms of Use for Downloads are valid.



Sleeve housing D7, for single locking latch, material: Die-cast aluminum, salt water resistant, cable outlets: 1, straight, 1x Pg11, height: 60.5 mm, cable gland: none, Standard

Commercial Data

Item number	1419232
Packing unit	1 pc
Minimum order quantity	1 pc
Sales Key	BF7
Product Key	BF7APF
Catalog Page	Page 515 (C-2-2019)
GTIN	4055626159676
Weight per Piece (including packing)	34 g
Weight per Piece (excluding packing)	33 g
Customs tariff number	85389099
Country of origin	CN

1419232

<https://www.phoenixcontact.com/in/products/1419232>

Technical Data

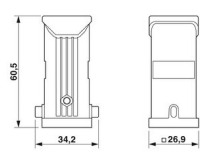
Notes

General	for contact inserts HC-A03, A04, D07, D08, Q02, Q03, Q04, Q05, Q07, Q12
---------	---

Product properties

Type	D7
Product type	Housing with locking latch
Application	Standard
No. of cable outlets	1
Type of the screw connection	1x Pg11
Housing type	Sleeve housing
Locking type	for single locking latch
Shielded	no
Cable outlet	straight
Pg screw connection	none

Dimensions

Dimensional drawing	
Width	34.2 mm
Height	60.5 mm
Length	26.9 mm

Material specifications

Color	gray aluminum
Housing surface material	uncoated
Impact strength	IK06
Housing material	Die-cast aluminum, salt water resistant

Mechanical properties

Mechanical data

Type of the screw connection	1x Pg11
Locking type	Pin

Environmental and real-life conditions

Ambient conditions

Degree of protection	IP66
	IP67

HC-STA-D07-HHFS-1TTP11-EL-AL - Housing



1419232

<https://www.phoenixcontact.com/in/products/1419232>

Impact strength	IK06
Ambient temperature (operation)	-40 °C ... 125 °C

Phoenix Contact 2023 © - all rights reserved

<https://www.phoenixcontact.com>

PHOENIX CONTACT (I) Pvt. Ltd.

A-58/2, Okhla Industrial Area, Phase - II, New Delhi-110 020

+91.1275.71420

info@phoenixcontact.co.in