

HC-B 24-I-CT-F - Contact insert



1648348

<https://www.phoenixcontact.com/in/products/1648348>

Please be informed that the data shown in this PDF document is generated from our Online Catalog. Please find the complete data in the user documentation. Our General Terms of Use for Downloads are valid.



Contact insert, number of positions: 24+PE, size: B24, number of connections per position: 1, Socket, Crimp connection, 500 V, 16 A, 0.5 mm² ... 4 mm², application: Power

Your advantages

- For fast coding with plastic profile

Commercial Data

Item number	1648348
Packing unit	1 pc
Minimum order quantity	1 pc
Sales Key	BF7
Product Key	BF7ABC
Catalog Page	Page 547 (C-2-2019)
GTIN	4046356092470
Weight per Piece (including packing)	76.08 g
Weight per Piece (excluding packing)	75.7 g
Customs tariff number	85366990
Country of origin	CN

HC-B 24-I-CT-F - Contact insert



1648348

<https://www.phoenixcontact.com/in/products/1648348>

Technical Data

Notes

General	For HEAVYCON ADVANCE and HEAVYCON housing of B24 type, crimp contacts CK 2,5-ED (crimp contacts not included in the scope of supply).
General	Connectors may be operated only when there is no load/voltage.

Mounting

Assembly instructions	To ensure correct use, installation in housing with IP54 protection or better is required Remove the crimp contact using a screwdriver. The opening for the screwdriver is next to the opening where the conductor is inserted.
-----------------------	--

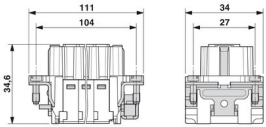
Product properties

Type	B24 B48
Product type	Contact insert with a fixed no. of positions
Number of positions	24
Connection profile	24+PE
Contact numbering	1 - 24
Application	Power
Number of connections per position	1
Contact type	turned
Series	HC-B

Insulation characteristics

Overvoltage category	III
Degree of pollution	3

Dimensions

Dimensional drawing	
Width	34 mm
Height	34.6 mm
Length	111 mm
Drill hole distance, horizontal	104 mm
Drill hole distance, vertical	27 mm

Mechanical characteristics

Contact diameter	2.5 mm
------------------	--------

HC-B 24-I-CT-F - Contact insert



1648348

<https://www.phoenixcontact.com/in/products/1648348>

Electrical properties

Min. AWG, flexible, multi-strand	20
Rated voltage (III/3)	500 V
Rated surge voltage	6 kV
Rated current	16 A
SCCR	5 kA (UL 2237)

Mechanical properties

Mechanical data

Insertion/withdrawal cycles	≥ 500
-----------------------------	-------

Material specifications

Color	light grey
Flammability rating according to UL 94	V0
Contact material	Copper alloy
Contact surface material	Ag (alternatively Au)
Contact carrier material	PC
Standards/regulations	PC: Fire protection in rail vehicles - requirement sets R22, R23, and R24 acc. to DIN EN 45545-2 (Risk level HL1 - HL3)

Environmental and real-life conditions

Ambient conditions

Degree of protection	IP20
Ambient temperature (operation)	-40 °C ... 125 °C (including heating up of contacts)

Standards and regulations

Constructional and testing regulations	DIN EN 61984
	DIN EN 60664
	IEC 60352
Tests	DIN EN 61984
	DIN EN 60664
	IEC 60352

Testing

Standards/regulations	PC: Fire protection in rail vehicles - requirement sets R22, R23, and R24 acc. to DIN EN 45545-2 (Risk level HL1 - HL3)
-----------------------	---

HC-B 24-I-CT-F - Contact insert

1648348

<https://www.phoenixcontact.com/in/products/1648348>



Phoenix Contact 2023 © - all rights reserved

<https://www.phoenixcontact.com>

PHOENIX CONTACT (I) Pvt. Ltd.

A-58/2, Okhla Industrial Area, Phase - II, New Delhi-110 020

+91.1275.71420

info@phoenixcontact.co.in