

SACC-M12FS-4CON-PG7-M SKIN - Connector



1430381

<https://www.phoenixcontact.com/in/products/1430381>

Please be informed that the data shown in this PDF document is generated from our Online Catalog. Please find the complete data in the user documentation. Our General Terms of Use for Downloads are valid.



Sensor/actuator socket, straight, 4-pos., M12, A-coded, screw connection, metal knurl, cable gland Pg7 SKINTOP®

Your advantages

- Safe use in the field, thanks to a high degree of protection
- Screw connection: proven connection technology for a large selection of different conductors

Commercial Data

| | |
|--------------------------------------|--------------------|
| Item number | 1430381 |
| Packing unit | 1 pc |
| Minimum order quantity | 1 pc |
| Sales Key | BF2 |
| Product Key | BF2CAA |
| Catalog Page | Page 23 (C-2-2019) |
| GTIN | 4046356315340 |
| Weight per Piece (including packing) | 26.44 g |
| Weight per Piece (excluding packing) | 26.44 g |
| Customs tariff number | 85366990 |
| Country of origin | DE |

SACC-M12FS-4CON-PG7-M SKIN - Connector



1430381

<https://www.phoenixcontact.com/in/products/1430381>

Technical Data

Notes

| | |
|---------|--|
| General | NOTE: Observe the permissible bending radii when laying conductors, since the degree of protection may be put in jeopardy if the bending forces are too high. Alleviate mechanical loads upstream of the connector, e.g. by using cable ties. |
|---------|--|

Mounting

| | |
|-------------------|------------------|
| Connection method | Screw connection |
|-------------------|------------------|

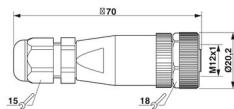
Product properties

| | |
|----------------------|---------------------------------|
| Product type | Circular connector (cable-side) |
| Number of positions | 4 |
| Sensor type | Universal |
| No. of cable outlets | 1 |
| Shielded | no |
| Coding | A |
| Cable outlet | straight |
| Pg screw connection | Pg7 |

Insulation characteristics

| | |
|----------------------|----|
| Overvoltage category | II |
| Degree of pollution | 3 |

Dimensions

| | |
|---------------------|--|
| Dimensional drawing |  |
| Width | 20.2 mm |
| Height | 20.2 mm |
| Length | 70 mm |

External dimensions

| | |
|------------------|---------------|
| Outside diameter | 4 mm ... 6 mm |
|------------------|---------------|

Housing

| | |
|------------------|---------|
| Diameter housing | 20.2 mm |
|------------------|---------|

Material specifications

| | |
|--|-------|
| Color Handle area | black |
| Flammability rating according to UL 94 | HB |
| Seal material | NBR |
| Material of grip body | PBT |

SACC-M12FS-4CON-PG7-M SKIN - Connector



1430381

<https://www.phoenixcontact.com/in/products/1430381>

| | |
|-------------------------------|------------------------------|
| Contact material | CuZn |
| Contact surface material | CuSnZn |
| Contact carrier material | PA |
| Material for screw connection | Zinc die-cast, nickel-plated |

Connection data

Conductor connection

| | |
|---|---|
| Connection method | Screw connection |
| Connection cross section | 0.25 mm ² ... 0.75 mm ² (without ferrule) |
| | 0.14 mm ² ... 0.75 mm ² (with ferrule) |
| | 0.25 mm ² ... 0.75 mm ² (solid) |
| Connection cross section AWG | 24 ... 18 (without ferrule) |
| | 26 ... 20 (with ferrule) |
| Stripping length of the individual wire | 5 mm |
| Tightening torque | 0.4 Nm (M12 knurl) |
| | 0.2 Nm (Screw terminal blocks) |
| | 0.8 Nm ... 1 Nm (Pressure screw) |

Electrical properties

| | |
|--------------------------------|----------|
| Rated surge voltage | 2.5 kV |
| Contact resistance | ≤ 8 mΩ |
| Insulation resistance | ≥ 100 MΩ |
| Nominal voltage U _N | 250 V AC |
| | 250 V DC |
| Nominal current I _N | 4 A |

Mechanical properties

Mechanical data

| | |
|-----------------------------|-------|
| Insertion/withdrawal cycles | ≥ 100 |
|-----------------------------|-------|

Connector

Connection 1

| | |
|-------------------|----------|
| Head design | Socket |
| Head cable outlet | straight |
| Head thread type | M12 |
| Coding | A |

Cable/line

| | |
|---|-----------|
| Signal type/category | Universal |
| Stripping length of the individual wire | 5 mm |

Environmental and real-life conditions

Ambient conditions

SACC-M12FS-4CON-PG7-M SKIN - Connector



1430381

<https://www.phoenixcontact.com/in/products/1430381>

| | |
|---------------------------------|----------------------------------|
| Degree of protection | IP67 |
| Ambient temperature (operation) | -20 °C ... 80 °C (Plug / socket) |

Standards and regulations

M12

| | |
|--------------------------|-----------------|
| Standards/specifications | IEC 61076-2-101 |
|--------------------------|-----------------|

Phoenix Contact 2023 © - all rights reserved

<https://www.phoenixcontact.com>

PHOENIX CONTACT (I) Pvt. Ltd.

A-58/2, Okhla Industrial Area, Phase - II, New Delhi-110 020

+91.1275.71420

info@phoenixcontact.co.in