

SACC-M12MSD-4CON-PG 7-SH - Data connector



1521258

<https://www.phoenixcontact.com/in/products/1521258>

Please be informed that the data shown in this PDF document is generated from our Online Catalog. Please find the complete data in the user documentation. Our General Terms of Use for Downloads are valid.



Data connector, Ethernet CAT5 (100 Mbps), 4-position, shielded, Plug straight M12, D, Screw connection, knurl material: Nickel-plated brass, cable gland Pg7, external cable diameter 4 mm .. 6 mm

Your advantages

- Safe use in the field, thanks to a high degree of protection
- Screw connection: proven connection technology for a large selection of different conductors
- Reliable signal transmission – 360° shielding in environments with electromagnetic interference

Commercial Data

| | |
|--------------------------------------|---------------------|
| Item number | 1521258 |
| Packing unit | 1 pc |
| Minimum order quantity | 1 pc |
| Sales Key | BF2 |
| Product Key | BF2CBI |
| Catalog Page | Page 236 (C-4-2013) |
| GTIN | 4017918968601 |
| Weight per Piece (including packing) | 55.7 g |
| Weight per Piece (excluding packing) | 55.7 g |
| Customs tariff number | 85366990 |
| Country of origin | CN |

1521258

<https://www.phoenixcontact.com/in/products/1521258>

Technical Data

Notes

| | |
|-----------------------|--|
| General | This product corresponds to the PROFINET Cabling and Interconnection Technology Guideline for PROFINET regulations, version 2.00, order no: 2.252, Chapter 8.2 Connectors for Outside Environment (Balanced cabling) |
| Assembly instruction: | NOTE: Observe the permissible bending radii when laying conductors, since the degree of protection may be put in jeopardy if the bending forces are too high. Alleviate mechanical loads upstream of the connector, e.g. by using cable ties. |

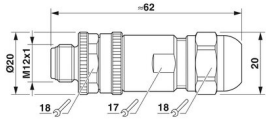
Product properties

| | |
|----------------------|---------------------------------|
| Product type | Circular connector (cable-side) |
| Number of positions | 4 |
| Application | Data |
| No. of cable outlets | 1 |
| Shielded | yes |
| Coding | D |
| Pg screw connection | Pg7 |

Insulation characteristics

| | |
|----------------------|----|
| Overvoltage category | II |
| Degree of pollution | 3 |

Dimensions

| | |
|---------------------|--|
| Dimensional drawing |  |
| Width | 20 mm |
| Height | 20 mm |
| Length | 62 mm |

External dimensions

| | |
|------------------|---------------|
| Outside diameter | 4 mm ... 6 mm |
|------------------|---------------|

Housing

| | |
|------------------|-------|
| Diameter housing | 20 mm |
|------------------|-------|

Material specifications

| | |
|--|---------------------|
| Flammability rating according to UL 94 | HB |
| Seal material | NBR |
| Material of grip body | Nickel-plated brass |
| Contact material | CuZn |
| Contact surface material | Au |

SACC-M12MSD-4CON-PG 7-SH - Data connector



1521258

<https://www.phoenixcontact.com/in/products/1521258>

| | |
|-------------------------------|---------------------|
| Contact carrier material | PA |
| Material for screw connection | Nickel-plated brass |

Connection data

Conductor connection

| | |
|---|---|
| Connection method | Screw connection |
| Connection cross section | 0.25 mm ² ... 0.75 mm ² (without ferrule) |
| | 0.14 mm ² ... 0.75 mm ² (with ferrule) |
| | 0.25 mm ² ... 0.75 mm ² (solid) |
| Connection cross section AWG | 24 ... 18 (without ferrule) |
| | 26 ... 20 (with ferrule) |
| Stripping length of the individual wire | 5 mm |
| Tightening torque | 0.4 Nm (M12 knurl) |
| | 0.2 Nm (Screw terminal blocks) |
| | 0.8 Nm ... 1 Nm (Pressure nut with coupling sleeve) |

Electrical properties

| | |
|--------------------------------|----------|
| Rated surge voltage | 2.5 kV |
| Contact resistance | ≤ 3 mΩ |
| Insulation resistance | ≥ 100 MΩ |
| Nominal voltage U _N | 48 V AC |
| | 60 V DC |
| Nominal current I _N | 4 A |

Mechanical properties

Mechanical data

| | |
|-----------------------------|-------|
| Insertion/withdrawal cycles | ≥ 100 |
|-----------------------------|-------|

Connector

Connection 1

| | |
|-------------------|----------|
| Head design | Plug |
| Head cable outlet | straight |
| Head thread type | M12 |
| Coding | D |

Cable/line

| | |
|---|---|
| Signal type/category | Ethernet CAT5 (on the basis of IEC 11801), 100 Mbps |
| Stripping length of the individual wire | 5 mm |

Environmental and real-life conditions

Ambient conditions

| | |
|---------------------------------|----------------------------------|
| Degree of protection | IP67 |
| Ambient temperature (operation) | -40 °C ... 85 °C (Plug / socket) |

SACC-M12MSD-4CON-PG 7-SH - Data connector



1521258

<https://www.phoenixcontact.com/in/products/1521258>

Standards and regulations

Standards/specifications

IEC 61076-2-101

Phoenix Contact 2023 © - all rights reserved

<https://www.phoenixcontact.com>

PHOENIX CONTACT (I) Pvt. Ltd.

A-58/2, Okhla Industrial Area, Phase - II, New Delhi-110 020

+91.1275.71420

info@phoenixcontact.co.in