

SACC-FS-12PCON SCO - Connector



1559631

<https://www.phoenixcontact.com/in/products/1559631>

Please be informed that the data shown in this PDF document is generated from our Online Catalog. Please find the complete data in the user documentation. Our General Terms of Use for Downloads are valid.



Connector, Universal, 12-position, Socket straight M12 SPEEDCON, A, Piercecon® fast connection, knurl material: Zinc die-cast, nickel-plated, external cable diameter 5.4 mm ... 8.2 mm

Your advantages

- Safe use in the field, thanks to a high degree of protection
- Save time, thanks to installation with SPEEDCON fast locking system
- Piercecon® connection: maximum contact density in a connector that can be assembled
- Save space – with high-pos. connectors

Commercial Data

Item number	1559631
Packing unit	1 pc
Minimum order quantity	1 pc
Sales Key	BF2
Product Key	BF2CGA
Catalog Page	Page 26 (C-2-2019)
GTIN	4046356314848
Weight per Piece (including packing)	37.5 g
Weight per Piece (excluding packing)	35 g
Customs tariff number	85366990
Country of origin	DE

SACC-FS-12PCON SCO - Connector

1559631

<https://www.phoenixcontact.com/in/products/1559631>

Technical Data

Notes

General	NOTE: Observe the permissible bending radii when laying conductors, since the degree of protection may be put in jeopardy if the bending forces are too high. Alleviate mechanical loads upstream of the connector, e.g. by using cable ties.
---------	--

Mounting

Connection method	Piercecon [®] fast connection
-------------------	--

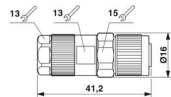
Product properties

Product type	Circular connector (cable-side)
Number of positions	12
Sensor type	Universal
No. of cable outlets	1
Shielded	no
Coding	A
Cable outlet	straight

Insulation characteristics

Overvoltage category	II
Degree of pollution	3

Dimensions

Dimensional drawing	
Length	41.2 mm
Wrench size, union nut	13 mm
Wrench size, counter nut	15 mm

External dimensions

Outside diameter	5.4 mm ... 8.2 mm
------------------	-------------------

Housing

Diameter housing	16 mm
------------------	-------

Material specifications

Flammability rating according to UL 94	V0
Seal material	FKM
Material of grip body	Zinc die-cast, nickel-plated

SACC-FS-12PCON SCO - Connector



1559631

<https://www.phoenixcontact.com/in/products/1559631>

Contact material	CuZn
Contact surface material	Ni/Au
Contact carrier material	PA
Material for screw connection	Zinc die-cast, nickel-plated
Wire insulation material	PUR / PVC

Connection data

Conductor connection

Connection method	Piercecon® fast connection
Connection cross section	0.14 mm ² ... 0.14 mm ² (without ferrule)
Connection cross section AWG	26 ... 26 (without ferrule)
Tightening torque	0.4 Nm (M12 knurl)

Pin assignment

Contact Color (signal designation) Contact (optional)	1 = BN
	2 = BU
	3 = WH
	4 = GN
	5 = PK
	6 = YE
	7 = BK
	8 = GY
	9 = RD
	10 = VT
	11 = GYPK
	12 = RDBU

Electrical properties

Rated surge voltage	0.8 kV
Contact resistance	≤ 5 mΩ
Insulation resistance	≥ 100 MΩ
Nominal voltage U _N	30 V AC
	30 V DC
Nominal current I _N	1.5 A

Mechanical properties

Mechanical data

Insertion/withdrawal cycles	≥ 100
-----------------------------	-------

Connector

Connection 1

Head design	Socket
Head cable outlet	straight

SACC-FS-12PCON SCO - Connector



1559631

<https://www.phoenixcontact.com/in/products/1559631>

Head thread type	M12
Head locking type	SPEEDCON
Coding	A

Cable/line

Signal type/category	Universal
----------------------	-----------

Environmental and real-life conditions

Ambient conditions

Degree of protection	IP67
Ambient temperature (operation)	-25 °C ... 85 °C (Plug / socket)

Standards and regulations

M12

Standards/specifications	IEC 61076-2-101
--------------------------	-----------------

Phoenix Contact 2023 © - all rights reserved

<https://www.phoenixcontact.com>

PHOENIX CONTACT (I) Pvt. Ltd.

A-58/2, Okhla Industrial Area, Phase - II, New Delhi-110 020

+91.1275.71420

info@phoenixcontact.co.in