

# HC-STA-D25-HLFS-1STP16-ELC-AL - Housing



1424378

<https://www.phoenixcontact.com/in/products/1424378>

Please be informed that the data shown in this PDF document is generated from our Online Catalog. Please find the complete data in the user documentation. Our General Terms of Use for Downloads are valid.



Sleeve housing D25, for single locking latch, material: Die-cast aluminum, salt water resistant, cable outlets: 1, lateral, 1x Pg16, height: 56 mm, cable gland: none, Standard

## Commercial Data

Item number	1424378
Packing unit	1 pc
Minimum order quantity	1 pc
Sales Key	BF7
Product Key	BF7APE
Catalog Page	Page 529 (C-2-2019)
GTIN	4055626371184
Weight per Piece (including packing)	115.5 g
Weight per Piece (excluding packing)	114.1 g
Customs tariff number	85389099
Country of origin	CN

# HC-STA-D25-HLFS-1STP16-ELC-AL - Housing

1424378

<https://www.phoenixcontact.com/in/products/1424378>

## Technical Data

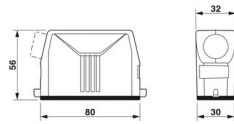
### Notes

General	For contact inserts HC-D25, A16
---------	---------------------------------

### Product properties

Type	D25
Product type	Housing with locking latch
Application	Standard
No. of cable outlets	1
Type of the screw connection	1x Pg16
Housing type	Sleeve housing
Locking type	for single locking latch
Cable outlet	lateral
Pg screw connection	none

### Dimensions

Dimensional drawing	
Width	30 mm
Height	56 mm
Length	80 mm

### Material specifications

Color	gray aluminum
Seal material	NBR, conductive
Housing surface material	uncoated
Impact strength	IK08
Housing material	Die-cast aluminum, salt water resistant

### Mechanical properties

#### Mechanical data

Type of the screw connection	1x Pg16
Locking type	Pin

### Environmental and real-life conditions

#### Ambient conditions

Degree of protection	IP66
	IP67
Impact strength	IK08

# HC-STA-D25-HLFS-1STP16-ELC-AL - Housing



1424378

<https://www.phoenixcontact.com/in/products/1424378>

Ambient temperature (operation)

-40 °C ... 125 °C

Phoenix Contact 2023 © - all rights reserved

<https://www.phoenixcontact.com>

PHOENIX CONTACT (I) Pvt. Ltd.

A-58/2, Okhla Industrial Area, Phase - II, New Delhi-110 020

+91.1275.71420

[info@phoenixcontact.co.in](mailto:info@phoenixcontact.co.in)