

# HC-Q05-I-CT-M - Contact insert



1406538

<https://www.phoenixcontact.com/in/products/1406538>

Please be informed that the data shown in this PDF document is generated from our Online Catalog. Please find the complete data in the user documentation. Our General Terms of Use for Downloads are valid.



Contact insert, number of positions: 5+PE, size: D7, number of connections per position: 1, Pin, Crimp connection, 230 V/400 V, 20 A, 0.5 mm<sup>2</sup> ... 2.5 mm<sup>2</sup>, application: Power

## Commercial Data

Item number	1406538
Packing unit	1 pc
Minimum order quantity	1 pc
Sales Key	BF7
Product Key	BF7ABJ
Catalog Page	Page 509 (C-2-2019)
GTIN	4046356932363
Weight per Piece (including packing)	14.7 g
Weight per Piece (excluding packing)	14.7 g
Customs tariff number	85366990
Country of origin	CN

# HC-Q05-I-CT-M - Contact insert



1406538

<https://www.phoenixcontact.com/in/products/1406538>

## Technical Data

### Notes

General	for HC-D7 housing, CK2,5-ED crimp contacts (crimp contacts not included in scope of supply)
General	Connectors may be operated only when there is no load/voltage.

### Mounting

Assembly instructions	To ensure correct use, installation in housing with IP54 protection or better is required
-----------------------	---

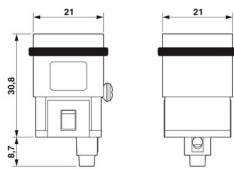
### Product properties

Type	D7
Product type	Contact insert with a fixed no. of positions
Number of positions	5
Connection profile	5+PE
Contact numbering	1 - 5
Application	Power
Number of connections per position	1
Contact type	turned
Series	HC-Q

### Insulation characteristics

Overvoltage category	III
Degree of pollution	3

### Dimensions

Dimensional drawing	
Width	21 mm
Height	39.5 mm
Length	21 mm

### Mechanical characteristics

Contact diameter	2.5 mm
------------------	--------

### Electrical properties

Rated voltage (III/3)	230 V (Conductor-PE)
	400 V (Conductor-Conductor)
Rated voltage for power contacts	230/400 V
Rated surge voltage	4 kV

# HC-Q05-I-CT-M - Contact insert



1406538

<https://www.phoenixcontact.com/in/products/1406538>

Rated current	20 A (power contacts)
---------------	-----------------------

## Mechanical properties

### Mechanical data

Insertion/withdrawal cycles	≥ 500
-----------------------------	-------

## Material specifications

Flammability rating according to UL 94	V0
Seal material	NBR, conductive
Contact material	Copper alloy
Contact surface material	Ag (alternatively Au)
Contact carrier material	PC
Standards/regulations	PC: Fire protection in rail vehicles - requirement sets R22, R23, and R24 acc. to DIN EN 45545-2 (Risk level HL1 - HL3)

## Environmental and real-life conditions

### Ambient conditions

Ambient temperature (operation)	-40 °C ... 125 °C (including heating up of contacts)
---------------------------------	--

## Standards and regulations

### Testing

Standards/regulations	PC: Fire protection in rail vehicles - requirement sets R22, R23, and R24 acc. to DIN EN 45545-2 (Risk level HL1 - HL3)
-----------------------	---

Phoenix Contact 2023 © - all rights reserved  
<https://www.phoenixcontact.com>

PHOENIX CONTACT (I) Pvt. Ltd.  
A-58/2, Okhla Industrial Area, Phase - II, New Delhi-110 020

+91.1275.71420  
[info@phoenixcontact.co.in](mailto:info@phoenixcontact.co.in)