

# HC-STA-D07-HHFS-1TGM20-PL-BK - Housing



1419255

<https://www.phoenixcontact.com/in/products/1419255>

Please be informed that the data shown in this PDF document is generated from our Online Catalog. Please find the complete data in the user documentation. Our General Terms of Use for Downloads are valid.



Sleeve housing D7, for single locking latch, material: PA, cable outlets: 1, straight, 1x M20, height: 77.6 mm, cable gland: with, Standard

## Commercial Data

Item number	1419255
Packing unit	1 pc
Minimum order quantity	1 pc
Sales Key	BF7
Product Key	BF7APD
Catalog Page	Page 514 (C-2-2019)
GTIN	4055626159966
Weight per Piece (including packing)	24.7 g
Weight per Piece (excluding packing)	24 g
Customs tariff number	85389099
Country of origin	CN

1419255

<https://www.phoenixcontact.com/in/products/1419255>

## Technical Data

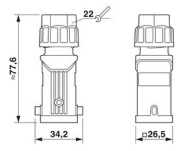
### Notes

General	for contact inserts HC-A03, A04, D07, D08, Q02, Q03, Q04, Q05, Q07, Q12
---------	---

### Product properties

Type	D7
Product type	Housing with locking latch
Application	Standard
No. of cable outlets	1
Type of the screw connection	1x M20
Housing type	Sleeve housing
Locking type	for single locking latch
Shielded	no
Cable outlet	straight
Thread type	M20

### Dimensions

Dimensional drawing	
Width	34.2 mm
Height	77.6 mm
Length	26.5 mm
Wrench size, union nut	22 mm

### Material specifications

Color	black
Flammability rating according to UL 94	V0 (Housing)
Locking latch material	PA
Impact strength	IK06
Housing material	PA

### Mechanical properties

#### Mechanical data

Type of the screw connection	1x M20
Locking type	Pin

### Environmental and real-life conditions

#### Ambient conditions

# HC-STA-D07-HHFS-1TGM20-PL-BK - Housing



1419255

<https://www.phoenixcontact.com/in/products/1419255>

Degree of protection	IP66
Impact strength	IK06
Ambient temperature (operation)	-40 °C ... 125 °C

Phoenix Contact 2023 © - all rights reserved  
<https://www.phoenixcontact.com>

PHOENIX CONTACT (I) Pvt. Ltd.  
A-58/2, Okhla Industrial Area, Phase - II, New Delhi-110 020

+91.1275.71420  
[info@phoenixcontact.co.in](mailto:info@phoenixcontact.co.in)