

HC-STA-B32-HHFD-1STP29-EL-AL - Housing



1424833

<https://www.phoenixcontact.com/in/products/1424833>

Please be informed that the data shown in this PDF document is generated from our Online Catalog. Please find the complete data in the user documentation. Our General Terms of Use for Downloads are valid.



Sleeve housing B32, for double locking latch, material: Die-cast aluminum, salt water resistant, cable outlets: 1, lateral, 1x Pg29, height: 94 mm, cable gland: none, Standard

Your advantages

- Good shielding in the event of electromagnetic interference

Commercial Data

Item number	1424833
Packing unit	1 pc
Minimum order quantity	1 pc
Sales Key	BF7
Product Key	BF7APB
Catalog Page	Page 644 (C-2-2019)
GTIN	4055626382388
Weight per Piece (including packing)	438.1 g
Weight per Piece (excluding packing)	438.1 g
Customs tariff number	85389099
Country of origin	CN

HC-STA-B32-HHFD-1STP29-EL-AL - Housing



1424833

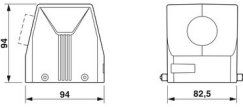
<https://www.phoenixcontact.com/in/products/1424833>

Technical Data

Product properties

Type	B32
Product type	Housing with locking latch
Application	Standard
No. of cable outlets	1
Type of the screw connection	1x Pg29
Housing type	Sleeve housing
Locking type	for double locking latch
Cable outlet	lateral
Pg screw connection	none

Dimensions

Dimensional drawing	
Width	82.5 mm
Height	94 mm
Length	94 mm

Material specifications

Color	gray aluminum
Housing surface material	uncoated
Impact strength	IK09
Housing material	Die-cast aluminum, salt water resistant

Mechanical properties

Mechanical data

Type of the screw connection	1x Pg29
Locking type	Pin

Environmental and real-life conditions

Ambient conditions

Degree of protection	IP66
	IP67
	4 (UL 50e)
	4X (UL 50e)
	12 (UL 50e)
Impact strength	IK09
Ambient temperature (operation)	-40 °C ... 125 °C

HC-STA-B32-HHFD-1STP29-EL-AL - Housing

1424833

<https://www.phoenixcontact.com/in/products/1424833>



Phoenix Contact 2023 © - all rights reserved

<https://www.phoenixcontact.com>

PHOENIX CONTACT (I) Pvt. Ltd.

A-58/2, Okhla Industrial Area, Phase - II, New Delhi-110 020

+91.1275.71420

info@phoenixcontact.co.in