

# SACC-M12FS-4CON-PG11-M PWR - Power connector



1404416

<https://www.phoenixcontact.com/in/products/1404416>

Please be informed that the data shown in this PDF document is generated from our Online Catalog. Please find the complete data in the user documentation. Our General Terms of Use for Downloads are valid.



Power connector, 4-position, Socket straight M12, A, Screw connection, knurl material: Zinc die-cast, nickel-plated, cable gland Pg11, external cable diameter 8 mm ... 10 mm

## Your advantages

- Safe use in the field, thanks to a high degree of protection
- Screw connection: proven connection technology for a large selection of different conductors

## Commercial Data

Item number	1404416
Packing unit	1 pc
Minimum order quantity	1 pc
Sales Key	BF2
Product Key	BF2CAA
Catalog Page	Page 22 (C-2-2019)
GTIN	4046356694483
Weight per Piece (including packing)	27.26 g
Weight per Piece (excluding packing)	27.26 g
Customs tariff number	85366990
Country of origin	DE

## Technical Data

### Notes

General	Strip 22 mm off the cable sheath, strip 7 mm off the conductor insulation, crimp the ferrule, then shorten this to 5 mm. Length of conductor with shortened ferrule: 20 mm. Connect conductors and tighten the mounting screws with 0.2 Nm.
Assembly instruction:	<b>NOTE:</b> Observe the permissible bending radii when laying conductors, since the degree of protection may be put in jeopardy if the bending forces are too high. Alleviate mechanical loads upstream of the connector, e.g. by using cable ties.

### Mounting

Connection method	Screw connection
-------------------	------------------

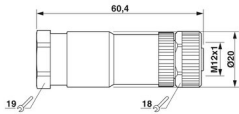
### Product properties

Product type	Circular connector (cable-side)
Number of positions	4
Application	Power supply
No. of cable outlets	1
Shielded	no
Coding	A
Cable outlet	straight
Pg screw connection	Pg11

### Insulation characteristics

Overvoltage category	II
Degree of pollution	3

### Dimensions

Dimensional drawing	
Width	20 mm
Height	20 mm
Length	60.4 mm

### External dimensions

Outside diameter	8 mm ... 10 mm
------------------	----------------

### Housing

Diameter housing	20 mm
------------------	-------

### Material specifications

Color Handle area	black
-------------------	-------

1404416

<https://www.phoenixcontact.com/in/products/1404416>

Flammability rating according to UL 94	V0
Seal material	Viton
	NBR
Material of grip body	PA
Contact material	CuZn
Contact surface material	Ni/Au
Contact carrier material	PA
Material for screw connection	Zinc die-cast, nickel-plated

### Connection data

#### Conductor connection

Connection method	Screw connection
Connection cross section	0.75 mm <sup>2</sup> ... 1.5 mm <sup>2</sup> (without ferrule)
	0.75 mm <sup>2</sup> ... 1.5 mm <sup>2</sup> (with ferrule)
	0.75 mm <sup>2</sup> ... 1.5 mm <sup>2</sup> (solid)
Connection cross section AWG	18 ... 16 (without ferrule)
	16 ... 18 (with ferrule)
Stripping length of the individual wire	5 mm
Tightening torque	0.4 Nm (M12 knurl)
	1.5 Nm ... 2 Nm (Pressure screw with sleeve housing)
	0.4 Nm (Screw plug insert with sleeve housing as far it will go)
	0.2 Nm (Screw terminal blocks)

### Electrical properties

Min. AWG, flexible, multi-strand	18
Rated surge voltage	2.5 kV
Contact resistance	≤ 3 mΩ
Insulation resistance	> 10 GΩ
Nominal voltage U <sub>N</sub>	250 V AC
	250 V DC
Nominal current I <sub>N</sub>	8 A (when using 1.5 mm <sup>2</sup> conductors)

### Mechanical properties

#### Mechanical data

Insertion/withdrawal cycles	≥ 100
-----------------------------	-------

### Connector

#### Connection 1

Head design	Socket
Head cable outlet	straight
Head thread type	M12
Coding	A

# SACC-M12FS-4CON-PG11-M PWR - Power connector



1404416

<https://www.phoenixcontact.com/in/products/1404416>

## Cable/line

Stripping length of the individual wire	5 mm
---	------

## Environmental and real-life conditions

### Ambient conditions

Degree of protection	IP67
----------------------	------

Ambient temperature (operation)	-40 °C ... 85 °C (Plug / socket)
---------------------------------	----------------------------------

## Standards and regulations

Standards/specifications	IEC 61076-2-101
--------------------------	-----------------

Phoenix Contact 2023 © - all rights reserved

<https://www.phoenixcontact.com>

PHOENIX CONTACT (I) Pvt. Ltd.

A-58/2, Okhla Industrial Area, Phase - II, New Delhi-110 020

+91.1275.71420

[info@phoenixcontact.co.in](mailto:info@phoenixcontact.co.in)